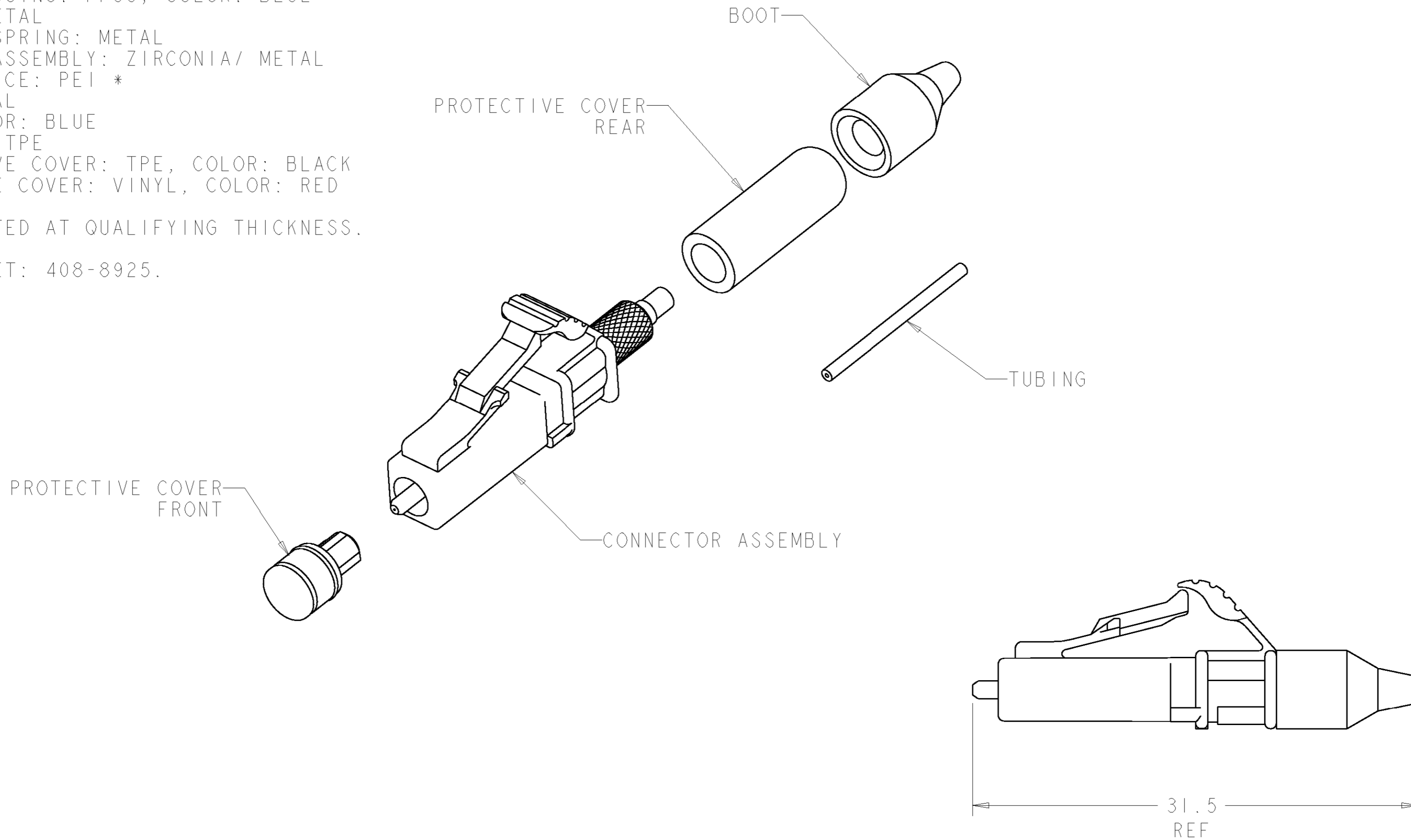


THIS DRAWING IS UNPUBLISHED. RELEASED FOR PUBLICATION 20  
 © COPYRIGHT 20 BY TYCO ELECTRONICS CORPORATION. ALL RIGHTS RESERVED.

LOC	DIST	REVISIONS					
CE	00	P	LTR	DESCRIPTION	DATE	DWN	APVD
		B		REV PER 06-027039	1-11-07	DDE	EH

⚠ MATERIAL:  
 CONNECTOR ASSEMBLY:  
 CONNECTOR HOUSING: PPSU, COLOR: BLUE \*  
 REAR BODY: METAL  
 COMPRESSION SPRING: METAL  
 FERRULE SUB ASSEMBLY: ZIRCONIA/ METAL  
 INTERNAL SPLICE: PEI \*  
 PLUNGER: METAL  
 BOOT: TPE, COLOR: BLUE  
 BUILD-UP TUBE: TPE  
 FRONT PROTECTIVE COVER: TPE, COLOR: BLACK  
 REAR PROTECTIVE COVER: VINYL, COLOR: RED  
 \* UL 94 V-0 RATED AT QUALIFYING THICKNESS.

2. INSTRUCTION SHEET: 408-8925.



6754482-1  
 PART NO.

<small>THIS DRAWING IS A CONTROLLED DOCUMENT FOR TYCO ELECTRONICS CORPORATION          IT IS SUBJECT TO CHANGE AND THE CONTROLLING ENGINEERING ORGANIZATION          SHOULD BE CONTACTED FOR THE LATEST REVISION.</small>		DWN D. ERDMAN 02DEC2005 CHK M. GURRER 02DEC2005 APVD D. BAECHTLE 02DEC2005	<b>tyco</b> Electronics Tyco Electronics Harrisburg, PA 17105-3608
DIMENSIONS: mm 	TOLERANCES UNLESS OTHERWISE SPECIFIED: 0 PLC ± 1 PLC ±0.5 2 PLC ±0.13 3 PLC ±0.013 4 PLC ±0.0001 ANGLES ± FINISH	NAME PRODUCT SPEC APPLICATION SPEC WEIGHT	KIT, CONNECTOR, LightCrimp Plus LC SIMPLEX, SINGLEMODE SIZE A2 CAGE CODE 00779 C=6754482 DRAWING NO 6754482 RESTRICTED TO
MATERIAL ⚠		CUSTOMER DRAWING	SCALE 4:1 SHEET 1 OF 1 REV B